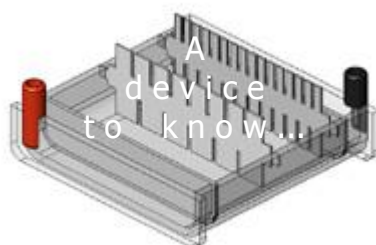


danaphor®

 LABORATORY DEVICES
www.danaphor.ch

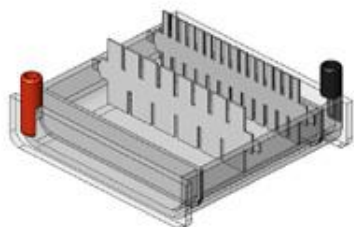


danaphor
ch du Genevrey 10
1091 Grandvaux
Switzerland

Tél. +41 (0)21 799 29 17
Fax +41 (0)21 799 37 83
E-mail info@danaphor.ch
www.danaphor.ch

	Page
Horizontal Electrophoresis Device Mini Gel Model 100 Standard	- 1 -
Horizontal Electrophoresis Device Mini Gel Model 100 Long	- 2 -
Horizontal Electrophoresis Device Mini Gel Model 100 Double	- 3 -
Horizontal Electrophoresis Device Maxi Gel Model 105	- 4 -
Vertical Electrophoresis Device Model 107	- 5 -
Vertical Electrophoresis Device Model 107 Double	- 6 -
Vertical Electrophoresis Device Model 108 Combi	- 7 -

Horizontal Electrophoresis Mini Gel Device Model 100 Standard



Including:

1 UV transparent 75% gel box Dim. 116mm x 115mm x 25mm;
1 cover; 2 end walls Dim.104mm x 21mm x 2mm; 1 Comb 6/8
teeth thickness 1mm ; 1 Comb 12/16 teeth thickness 1mm ;
1 Comb 1M+4/20 teeth thickness 1mm ; 2 electric cables;
2 plugs \varnothing 2mm; 2 platinum electrodes \varnothing 0,30mm

Security :

This apparatus has to be used only after having closed the tank with the lid.

Specifications:

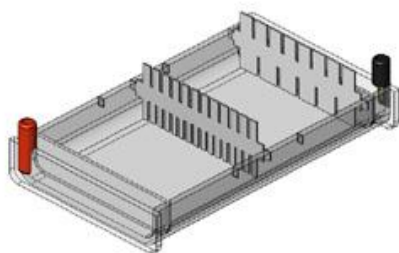
Material:	Plexiglas
Gel dimension:	100mm x 76mm
Tamp volume:	100ml
Dim. tot:	116mm x 115mm x 25mm

Price : Art.100 Standard Full set
CHF 314.00 (€ 285.45)
Delivery time : 2 weeks
+ shipping charge.

Individual items :

Art.100S.1	1 cover	CHF 26.00
Art.100S.2	2 end walls dim. 104mm x 21mm thickness 2mm.	CHF 24.00
Art.100S.3	1 comb 6/8 teeth thickness 1mm.	CHF 39.00
Art.100S.4	1 comb 12/16 teeth thickness 1mm.	CHF 39.00
Art.100S.5	1 comb 1M+4/20 teeth thickness 1mm. Multipipette	CHF 39.00
Art.100S.6	2 electric cables.	CHF 36.00
Art.100S.7	2 plugs \varnothing 2mm.	CHF 10.00
Art.100S.8	2 platinum electrodes \varnothing 0,30mm.	CHF 66.50

Horizontal Electrophoresis Mini Gel Device Model Model 100 Long



Including:

1 UV transparent 75% gel box Dim. 195mm x 115mm x 25mm;
1 cover; 2 end walls Dim.104mm x 21mm x 2mm; 1 Comb 6/8
teeth thickness 1mm ; 1 Comb 12/16 teeth thickness 1mm ;
1 Comb 1M+4/20 teeth thickness 1mm ; 2 electric cables;
2 plugs \varnothing 2mm; 2 platinum electrodes \varnothing 0,30mm.

Security:

This apparatus has to be used only after having closed the tank with the lid.

Price : Art.100 Long

CHF 448.00

Delivery time :

+ shipping charge

Full set

(€ 407.27)

2 weeks

Specifications:

Material: Plexiglas

Gel dimension: 156mm x 100mm

Tamp volume: 200ml

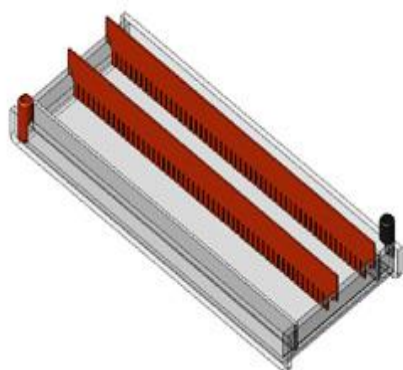
Dim. tot: 195mm x 115mm x 25mm

Weight: 300g

Individual items :

Art.100L.1	1 cover	CHF 32.00
Art.100L.2	2 end walls dim. 104mm x 21mm thickness 2mm.	CHF 24.00
Art.100L.3	1 comb 6/8 teeth thickness 1mm.	CHF 39.00
Art.100L.4	1 comb 12/16 teeth thickness 1mm.	CHF 39.00
Art.100L.5	1 comb 1M+4/20 teeth thickness 1mm. Multipipette	CHF 39.00
Art.100L.6	2 electric cables	CHF 36.00
Art.100L.7	2 plugs \varnothing 2mm.	CHF 10.00
Art.100L.8	2 platinum electrodes \varnothing 0,30mm.	CHF 66.50

Horizontal Electrophoresis Device Mini Gel Model 100 Double



Price : Art.100 Double Full set
CHF 522.00 (€ 474.54)
Delivery time : 2 weeks
 + shipping charge

Including:

1 UV transparent 75% gel box Dim. 260mm x 116mm x 25mm;
 1 cover; 2 end walls Dim.148mm x 21mm x 2mm; 2 Combs 51 teeth
 thickness 1mm ; 2 Combs 51 teeth thickness 1,5 mm ;2 electric
 cables; 2 plugs \varnothing 2mm; 2 platinum electrodes \varnothing 0,30mm

Security:

This apparatus has to be used only after having closed the tank with
 the lid.

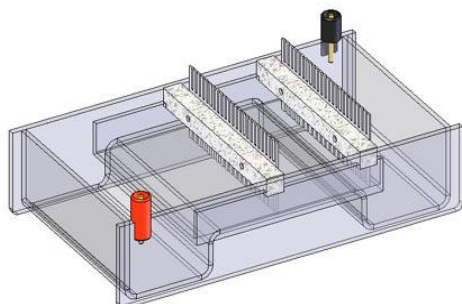
Specifications:

Material:	Plexiglas
Gel dimension:	245mm x 76mm
Tamp volume:	250ml
Dim. tot:	260mm x 116mm x 25mm
Weight:	400gr

Individual items :

Art.100D.1	1 cover	CHF 32.00
Art.100D.2	2 end walls dim. 248mm x 21mm thickness 2mm.	CHF 34.00
Art.100D.3	1 comb 51 teeth thickness 1mm Multipipette.	CHF 71.50
Art.100D.4	1 comb 41 teeth thickness 1mm.	CHF 71.50
Art.100D.5	1 comb 31 teeth thickness 1mm.	CHF 71.50
Art.100D.6	2 electric cables	CHF 36.00
Art.100D.7	2 plugs \varnothing 2mm.	CHF 10.00
Art.100D.8	2 platinum electrodes \varnothing 0,30mm.	CHF 122.50

Horizontal Electrophoresis Gel Device Model 105



Including:

1 gel box dim. 290mm x 185mm x 70mm; 1 cover; 1 UV 75% transparent gel support dim. 160mm x 153mm x 30mm. 3 combs 6/8 & 12/16 & 20/24 teeth thickness 1,5mm; 1 comb support with adjustment screw dim.15mm x 15mm x 153mm; 2 electric cables; 2 plugs Ø 4mm; 2 platinum electrodes Ø 0,30mm.

Security:

This apparatus has to be used only after having closed the tank

Specifications :

Material:	Plexiglas
Gel dimension:	160mm x 145mm 210mm x 145mm
Tamp volume:	1000ml
Dimension tot.:	290mm x 165mm x 80mm
Weight:	1300gr

Price : Art.105
CHF 744.00

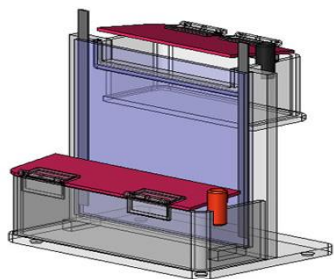
Full set
(€ 676.36)
2 weeks

Delivery time :
+ shipping charge

Individual items :

Art.105.1	1 cover	CHF 45.50
Art. 105.2	1 UV 75% transparent gel support dim 16mm0 x 153mm x 30 mm.	CHF 74.00
Art.105.3	1 UV 75% transparent gel support dim 160mm x 230mm x 30 mm.	CHF 99.00
Art.105.4	2 comb support dimension 154mm x 15mm x 15mm.	CHF 32.00
Art.105.5.1	3 combs 6/8 & 12/16 & 20/24 teeth thickness 1mm	CHF 106.00
Art.105.5.1,5	3 combs 6/8 & 12/16 & 20/24 teeth thickness 1,5mm	CHF 106.00
Art.105.5.2	3 combs 6/8 & 12/16 & 20/24 teeth thickness 2mm .	CHF 106.00
Art.105.6	2 electric cables	CHF 39.00
Art.105.7	2 plugs Ø 4mm	CHF 17.00
Art.105.8	2 platinum electrodes Ø 0,30mm.	CHF 111.00

Vertical Electrophoresis Gel Device Model 107



Price : Art.107
CHF 871.00

Delivery time :
+ shipping charge

Full set
(€ 791.81)
2 weeks

Including: mm

1 main apparatus; 1 pair of glass plates dim.180mm x 180mm x 4mm including one with notch dim. 140mm x 20mm; 3 combs 6/8 & 12/16 & 20/24 teeth thickness 1,5mm; 3 separating walls dim. 200mm x 10mm thickness 1,5mm; 6 clips; 2 electric cables; 2 plugs Ø 4mm; 1 rubber sealer Ø 5mm; 2 platinum electrodes Ø 0,30mm.

Security :

This apparatus has to be used only after having closed both tanks with their lid.

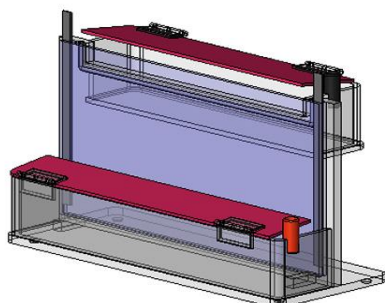
Specifications :

Material:	Plexiglas
Gel dimension:	160mm x 160mm 210mm x 160mm 260mm x 160mm
Tamp volume:	1000ml
Dimension tot:	210mm x 145mm x 320mm
Weight:	4000gr

Individual Items :

Art.107.1	1 pair of glass plates dim. 180mm x 180mm x 4mm. including one with notch dim.140mm x 20mm.	CHF 176.50
Art.107.2.1	3 combs 6/8&12/16&20/24 teeth thickness 1mm.	CHF 98.00
Art.107.2.1,5	3 combs 6/8&12/16&20/24 teeth thickness 1,5mm.	CHF 98.00
Art.107.2.2	3 combs 6/8&12/16&20/24 teeth thickness 2mm.	CHF 98.00
Art.107.3.1	3 end walls dimension : 200mm X 10mm thickness 1mm.	CHF 21.50
Art.107.3.1,5	3 end walls dimension : 200mm X 10mm thickness 1,5mm.	CHF 21.50
Art.107.3.2	3 end walls dimension : 200mm X 10mm thickness 2mm.	CHF 21.50
Art.107.4	6 clips.	CHF 36.00
Art.107.5	2 electric cables.	CHF 39.00
Art.107.6	2 plugs Ø 4mm.	CHF 17.00
Art.107.7	1 rubber sealer Ø 5mm	CHF 16.50
Art.107.8	2 platinum electrodes Ø 0,30mm.	CHF 89.00

Vertical Electrophoresis Maxi Gel Device Model 107 Double



Including:

1 main apparatus; 1 pair of glass plates dim. 335mm x 180mm x 4mm including one with notch dim. 285mm x 20mm; 3 combs thickness 1,5mm; 42 teeth
2 end walls dim. 200mm x 10mm thickness 1,5mm; 1 separating walls dim. 350mm x 10mm thickness 1,5mm; 6 clips; 2 electric cables; 2 plugs Ø 4mm; 1 rubber sealer Ø 5mm; 2 platinum electrodes Ø 0,30mm

Security :

This apparatus has to be used only after having closed both tanks with their lid.

Price : Art.107 Double Full set
CHF 1921.00 (€ 1746.36)
Delivery time : 2 weeks
+ shipping charge

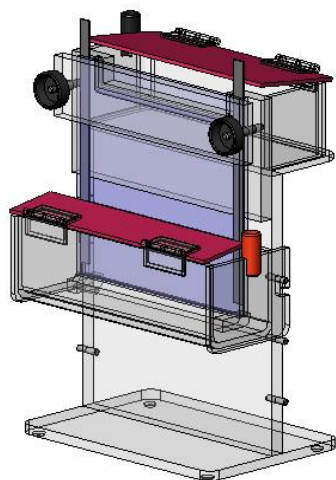
Specifications :

Material: Plexiglas
Gel dimension: 315mm x 160mm
Tamp volume: 2000ml
Dimension tot.: 355mm x 145mm x 220mm
Weight: 3000gr

Individual items :

Art.107D.1	1 pair of glass plates dim. 335mm x 180mm x 4mm. including one with notch dim.140mm x 20mm.	CHF 287.00
Art.107D.2.1	3 combs 42 teeth thickness 1mm.	CHF 126.00
Art.107D.2.1,5	3 combs 42 teeth thickness 1,5mm.	CHF 126.00
Art.107D.2.2	3 combs 42 teeth thickness 2mm.	CHF 126.00
Art.107D.3.1	2 separating walls dim 200mm x 10mm thickness 1mm 1 separating wall dim 350mm x 10mm thickness 1mm.	CHF 22.50
Art.107D.3.1,5	2 separating walls dim 200mm x 10mm thickness 1mm 1 separating wall dim 350mm x 10mm thickness 1,5mm.	CHF 22.50
Art.107D.3.2	2 separating walls dim 200mm x 10mm thickness 1mm 1 separating wall dim 350mm x 10mm thickness 2mm.	CHF 22.50
Art.107D.4	6 clips.	CHF 36.00
Art.107D.5	2 electric cables.	CHF 39.00
Art.107D.6	2 plugs Ø 4mm	CHF 17.00
Art.107D.7	1 rubber sealer Ø 5mm.	CHF 22.50
Art.107D.8	2 platinum electrodes Ø 0,30mm.	CHF 198.00

Vertical Electrophoresis Gel Device Model 108 Combi



Prix : Art.108 Combi Full set
CHF 1998.00 (€ 1816.36)
Delivery time : 2 weeks
 + shipping charge

Including:

1 main apparatus; 1 pair of glass plates dim. 180mm x 180mm x 4mm including one with notch dim. 140mm x 20mm; 1 pair of glass plates dim. 230mm x 180mm x 4mm including one with notch dim. 140mm x 20mm; 1 pair of glass plates dim. 280mm x 180mm x 4mm including one with notch dim. 140mm x 20mm; 3 combs 6/8 & 12/16 & 20/24 teeth thickness 1,5mm; 5 separating walls dim. 200mm x 10mm thickness 1,5mm; 2 separating walls dim 250mm x 10mm thickness 1,5mm; 2 separating walls dim. 300mm x 10mm thickness 1,5mm; 6 clips; 2 electric cables; 2 plugs Ø 4mm; 1 rubber sealer Ø 5mm; 2 platinum electrodes Ø 0,30mm

Security :

This apparatus has to be used only after having closed both tanks with their lid.

Specifications :

Material:	Plexiglas
Gel dimension:	160mm x 160mm 230mm x 160mm 280mm x 160mm
Tamp volume:	1000ml
Dimension tot:	210mm x 145mm x H 320mm
Weight:	4000gr

Individual Items :

Art.108.1.1	1 pair of glass plates dim. 180mm x 180mm x 4mm including one with notch dim.140mm x 20mm.	CHF 176.00
Art.108.1.2	1 pair of glass plates dim. 230mm x 180mm x 4mm including one with notch dim.140mm x 20mm.	CHF 227.50
Art.108.1.3	1 pair of glass plates dim. 280mm x 180mm x 4mm including one with notch dim.140mm x 20mm.	CHF 278.50
Art.108.2.1	3 combs 6/8 & 12/16 & 20/24 teeth thickness 1mm.	CHF 98.00
Art.108.2.1,5	3 combs 6/8 & 12/16 & 20/24 teeth thickness 1,5mm.	CHF 98.00
Art.108.2.2	3 combs 6/8 & 12/16 & 20/24 teeth thickness 2mm.	CHF 98.00
Art.108.3.1	5 separating walls dim. 200mm x 10mm thickness 1mm 2 separating walls dim. 250mm x 10mm thickness 1mm 2 separating walls dim. 300mm x 10mm thickness 1mm.	CHF 42.00
Art.108.3.1,5	5 separating walls dim. 200mm x 10mm thickness 1,5mm 2 separating walls dim. 250mm x 10mm thickness 1,5mm 2 separating walls dim. 300mm x 10mm thickness 1,5mm.	CHF 42.00
Art.108.3.2	5 separating walls dim. 200mm x 10mm thickness 2mm 2 separating walls dim. 250mm x 10mm thickness 2mm 2 separating walls dim. 300mm x 10mm thickness 2mm.	CHF 42.00
Art.108.4	6 clips.	CHF 36.00
Art.108.5	2 electric cables.	CHF 39.00
Art.108.6	2 plugs Ø 4mm	CHF 17.00
Art.108.7	1 rubber sealer Ø 5mm.	CHF 16.50
Art.108.8	2 platinum electrodes Ø 0,30mm.	CHF 140.00